

MULTIPLE INTERPHONE & DOORPHONE

INTERPHONE MULTIPLE INTERPHONE & DOORPHONE

KIP-620ML



- 20Ch Multiple Interphone
- Master (KIP-620ML) & Sub (KIP-300) Phone system
- LED Indicator for All line
- Easy Wiring & Installation (Terminal Box, Mount on the Wall or Desk)

SPECIFICATIONS

Mount Type	Surface Mount, Desktop Mount
Speak Mode	Handset Type
Wiring	1+n Wire (Non-polarity)
Power	DC 24V, 1A
Dimension	175(W) X 175(H) X 55(D) mm

INTERPHONE DOOR PANEL

DS-2C



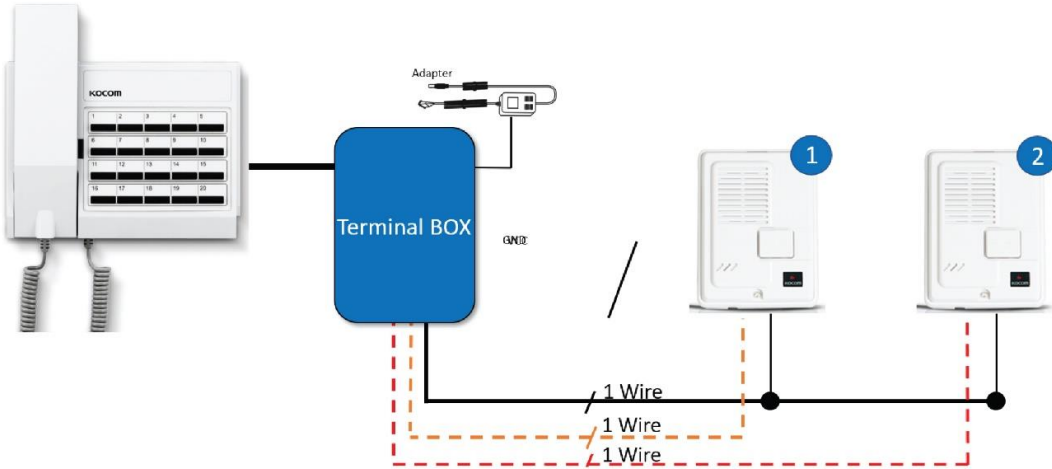
- Sub unit for KIP-612ML/620ML
- Gentle Electronic sound
- Easy Installation (2 Wire)

SPECIFICATIONS

Mount Type	Surface Mount
Speak Mode	Hands-free Type
Wiring	2 Wire
Power	Powered from KIP-612ML/620ML
Dimension	75(W) x 176(H) x 50(D) mm

WIRING DIAGRAM Şu KIP-620ML + DS-2C

System Diagram



Wiring Diagram

